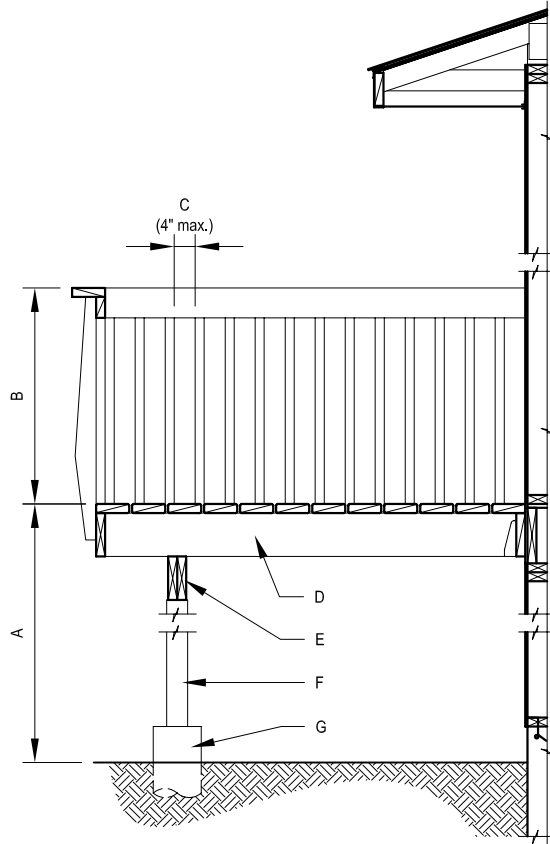


STREET

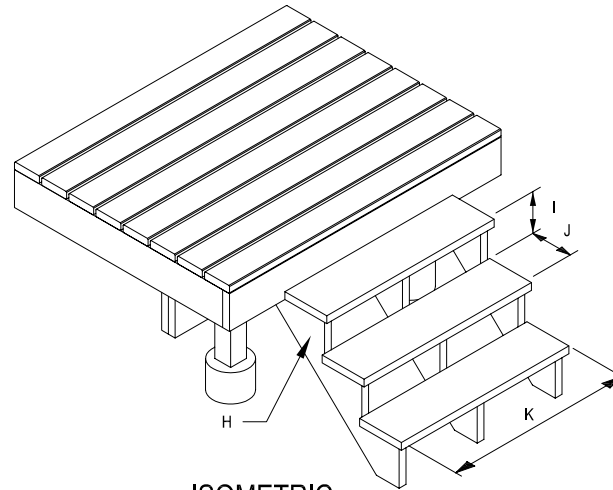
SITE PLAN

**On Site Plan:**

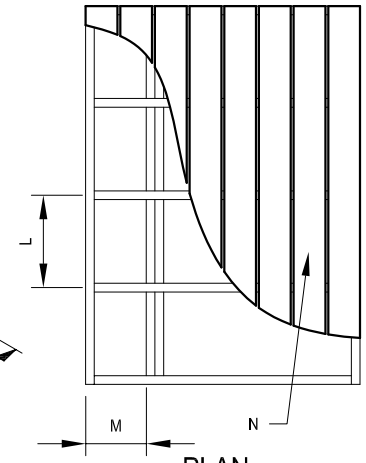
- Show size and location of house
- Show size and location of proposed deck
- Show distances to property lines
- Show lot dimensions and shape of lot
- Show direction of North



SECTION



ISOMETRIC



PLAN

- |                            |       |                         |          |
|----------------------------|-------|-------------------------|----------|
| A) Deck Height Above Grd.: | _____ | H) Stair Stringer Size: | _____    |
| B) Guard Rail Height:      | _____ | No. of Stringers:       | _____    |
| C) Spindle Spacing:        | _____ | I) Stair Rise:          | _____    |
| D) Joist Size:             | _____ | J) Stair Run:           | _____    |
| E) Beam Member Size:       | _____ | K) Stair Width:         | _____    |
| No. of Members:            | _____ | L) Joist Spacing:       | _____o/c |
| F) Column:                 | _____ | M) Cantilever:          | _____    |
| G) Foundation/Footing:     | _____ | N) Floor Decking:       | _____    |

**Note:**

Guard Rail required when deck walking surface height is > 24" (600 mm) above finished grade.

Minimum Guard Rail Height is 36" (900 mm) when the walking surface is not more than 72" (1800 mm) from finished grade, serving one dwelling unit and 42" (1070 mm) in height when walking surface is over 72".

A Stair Handrail is required when there are more than 3 risers.

Exterior wood steps shall not be in direct contact with the ground unless suitably treated with wood preservative.

A deck is allowed to project into a 24.6' (7.5 m) front yard setback 6' (1.8m).

Owner's Information

Owner's Name: \_\_\_\_\_

Owner's Address: \_\_\_\_\_

Date: \_\_\_\_\_

	DATE REVISED	BY	DESIGNED BY:	DATE:	SCALE:	PAGE:
			Dwn By: TCR	MAY 12, 2003	AS NOTED	1 / 1
			CHECKED BY:	PROJECT:		
		N/A	DECK CHECKLIST WITH NATIONAL BUILDING CODE AND REGULATORY BYLAW INFORMATION			
		JOB NO.:				
		N/A				